



Sink Accessories Undermount Support Kits RVUMSK25 AND RVUMSK36

GENERAL

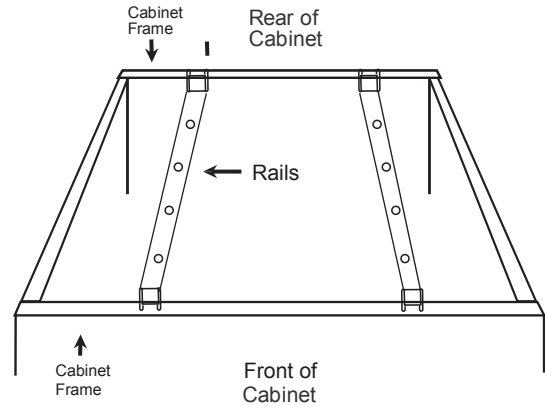
Undermount Support Kits simplify the undermount sink installation process. Recommended for use with sinks listed below. Can be used to aid in the installation of other undermount sinks. Hang the Undermount Support Kits on the cabinet walls in the front to back direction only, using the RVUMSK25 kit. The RVUMSK36 kit should only be used left to right, hung between rails that are mounted front to back.

RVUMSK25

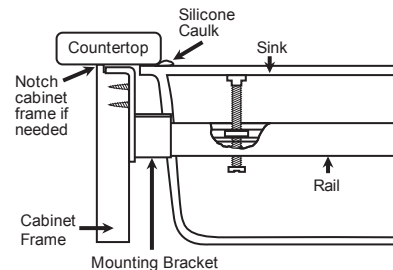
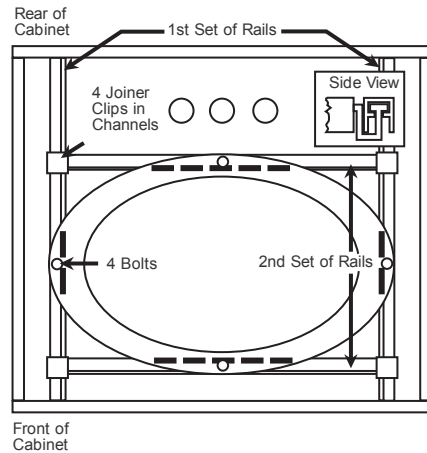
Rails provided are 25 inches long; can be cut to length as required.

RVUMSK36

Rails provided are 36 inches long; can be cut to length as required.



Part Number	Recommended Kits	Quantity
RVG1515	RVUMSK25	1
RVGU2218	RVUMSK25	2
RVGU250R	RVUMSK25 and RVUMSK36	1 each
RVGU2522	RVUMSK25	1
RVGU3322	RVUMSK25 and RVUMSK36	1 each
RVGULB3322	RVUMSK25 and RVUMSK36	1 each
RVGUS3322R	RVUMSK25 and RVUMSK36	1 each



In keeping with our policy of continuing product improvement, Revere reserves the right to change product specifications without notice.

This specification describes a Revere product with design, quality and functional benefits to the user. When making a comparison of other producers' offerings, be certain these features are not overlooked.