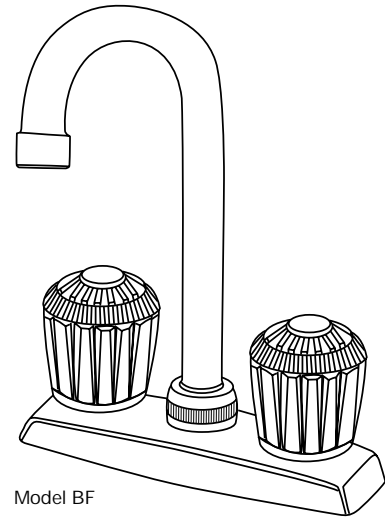


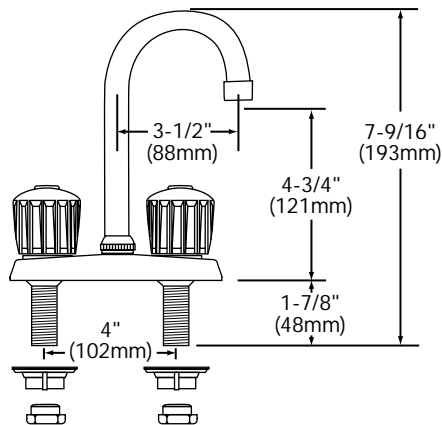
## FEATURES:

- Brass Construction
- For 4" Centers
- Brass Valve Bodies
- Spout Height is 7-9/16"
- Spout Height Deck to Aerator is 4-3/4"
- 2.2 Gallons per Minute
- Acrylic Handles

# Dual Handle Bar Faucet BF



Model BF



BF Model Illustrated

## REVERE FAUCET LIMITED WARRANTY

Revere warrants its faucet to be free of defects in workmanship and material for a period of one year from the date of purchase. Replacement parts are available from Revere for a nominal charge. Upon return of a defective part to Revere during the warranty period with written notice of the claimed defect, Revere will refund the replacement charge.

### WASTE FITTINGS AND ACCESSORIES ARE NOT WARRANTED; OTHER WARRANTY CONDITIONS:

Our warranty does not cover product failure caused by abusive treatment, misuse, or damage due to handling or faulty installations. This warranty is extended only to the original consumer purchaser of the product. This warranty does not cover shipping costs, labor costs, or any other charges for such items as installation or replacement of the sink, diagnosis or replacement of any faucet or component part, or any other expense or loss.

ALL INCIDENTAL OR CONSEQUENTIAL DAMAGES ARE SPECIFICALLY EXCLUDED. NO ADDITIONAL WARRANTIES, EXPRESS OR IMPLIED, ARE GIVEN. ANY IMPLIED WARRANTY, INCLUDING ONE OF MERCHANTABILITY OR FITNESS FOR A PARTICULAR PURPOSE, IS LIMITED TO THE DURATION OF THIS WRITTEN WARRANTY.

Some states do not allow the exclusion or limitation of incidental or consequential damages or limitations on how long an implied warranty lasts, so the above limitations or exclusions may not apply to you.

This warranty gives you specific legal rights, and you may also have other rights which vary from state to state.

### TO OBTAIN SERVICE UNDER WARRANTY

1. Write to: Revere Sink  
Attention: Consumer Service  
13 Ventura Drive  
North Dartmouth, MA 02747
2. Include a letter containing the following information:
  - a. Date of purchase and installation
  - b. Description of nature of defect
  - c. Model number or description of model and/or component part if possible.