



Revere Granite Double Bowl Sink RVGU3322 Series

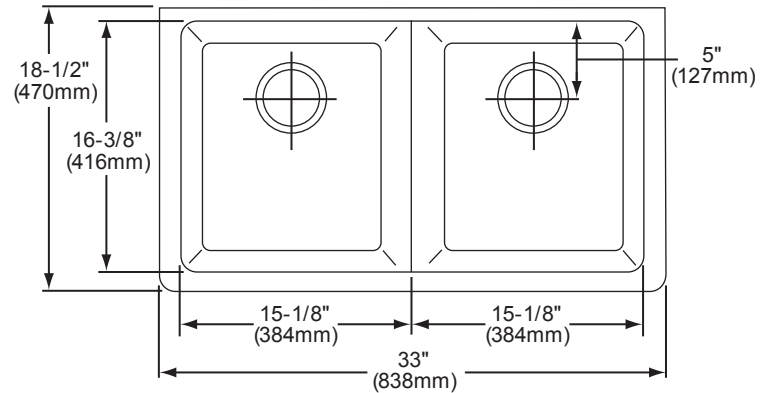
Specifications

FEATURES:

- Undermount
- Revere granite material
- 9-1/2" (241mm) deep
- 3/8" (10mm) rim height
- Color Options with natural accents:
Black (BK), Bisque (BQ), Brown (BR), or
White (WH)
- 3-1/2" (89mm) drain opening
- Minimum cabinet size: 36" (914mm)
- Sink complies with ANSI Z124.6 and
CSA B45-02



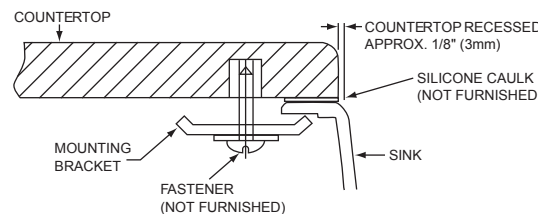
These sinks are listed by the International Association of Plumbing and Mechanical Officials as meeting the requirements of the Uniform Plumbing Code and the National Plumbing Code of Canada.



OPTIONAL ACCESSORIES:

- Drains: S1

Undermount Installation



In keeping with our policy of continuing product improvement, Revere reserves the right to change product specifications without notice.

This specification describes a Revere product with design, quality and functional benefits to the user. When making a comparison of other producers' offerings, be certain these features are not overlooked.

Revere • 2222 Camden Ct. • Oak Brook, IL 60523 • reveresink.com • Tel: (800) 225-8585 • Fax: (630) 645-4447