



Revere Granite Single Bowl Sink RVG16FB Series

Specifications

FEATURES:

- Universal Mount
- Molded from up to 80% natural quartz and high performance acrylic resin
- 7-1/2" (191mm) deep
- 3/8" (10mm) rim height
- Color options with natural accents: Black (BK), Bisque (BQ), Brown (BR), Dusk Gray (GY), or White (WH)
- 3-1/2" (89mm) drain opening
- Minimum cabinet size: 21" (533mm)

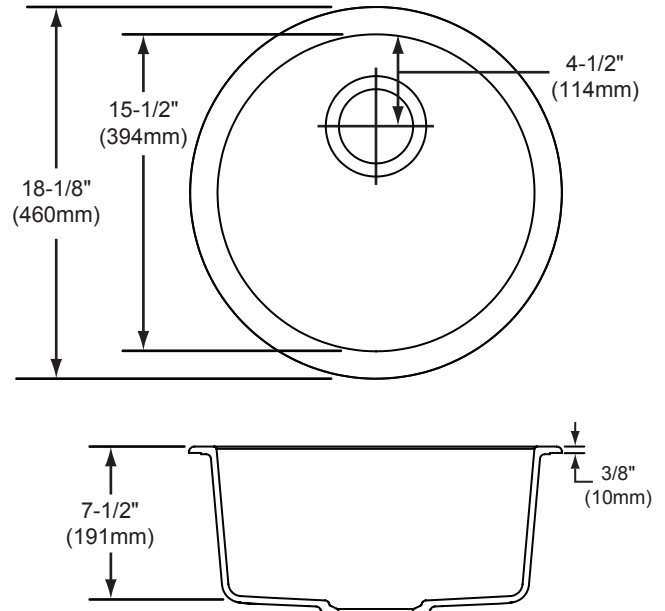
Sink complies with CSA B45.5 / IAPMO Z124



Sinks are listed by IAPMO® as meeting the applicable requirements of the Uniform Plumbing Code®, International Plumbing Code®, and National Plumbing Code of Canada.

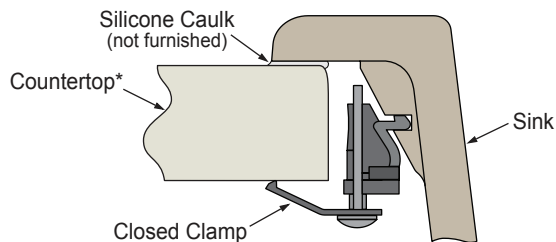
OPTIONAL ACCESSORIES:

- Drains: S1, LKD35, LKS35



Top Mount

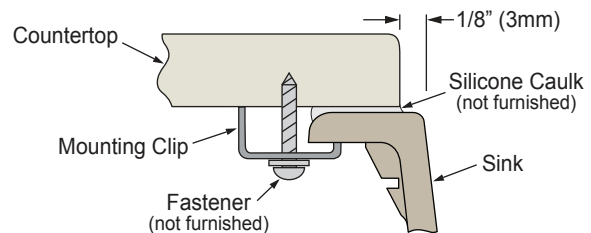
Template 1000001467 available by contacting customer service.



*Maximum thickness for use of hold down system is 1-3/4" (44mm).

Undermount - 1/8" (3mm) Reveal

Template 1000001468 is packed with every sink.



Designed to affix to the underside of any solid surface countertop.

In keeping with our policy of continuing product improvement, Revere reserves the right to change product specifications without notice. Please visit Reveresinks.com for the most current version of Revere product specification sheets.

This specification describes a Revere product with design, quality, and functional benefits to the user. When making a comparison of other producers' offerings, be certain these features are not overlooked.