



# Revere Granite Single Bowl Sink RVGU13322 Series

## Specifications

### FEATURES:

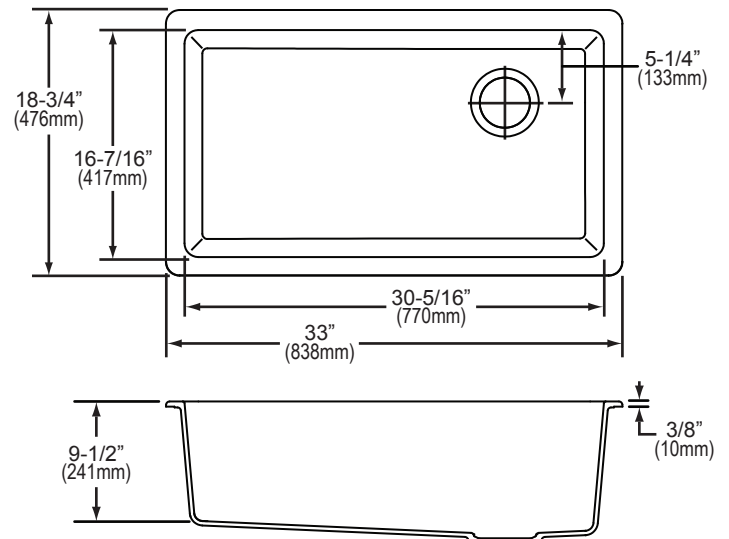
- Undermount
- Molded from up to 80% natural quartz and high performance acrylic resin
- 9-1/2" (241mm) deep
- Color options with natural accents: Black (BK), Bisque (BQ), Brown (BR), Dusk Gray (GY), or White (WH)
- 3-1/2" (89mm) drain opening
- Minimum cabinet size: 36" (914mm)

Sink complies with CSA B45.5 / IAPMO Z124

 Sinks are listed by IAPMO® as meeting the applicable requirements of the Uniform Plumbing Code®, International Plumbing Code®, and National Plumbing Code of Canada.

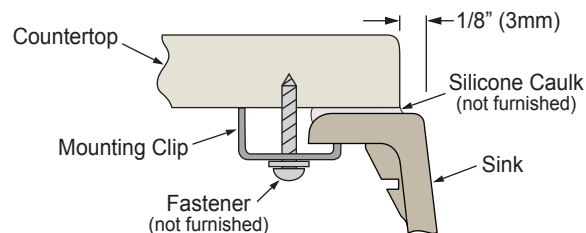
### OPTIONAL ACCESSORIES:

- Bottom Grid: LKWOBG3016RSS
- Drains: S1, LKD35, LKS35



### Undermount - 1/8" (3mm) Reveal

Template 0000001440 is packed with every sink.



Designed to affix to the underside of any solid surface countertop.

In keeping with our policy of continuing product improvement, Revere reserves the right to change product specifications without notice. Please visit [Reveresinks.com](http://Reveresinks.com) for the most current version of Revere product specification sheets.

This specification describes a Revere product with design, quality, and functional benefits to the user. When making a comparison of other producers' offerings, be certain these features are not overlooked.