



Undermount Model Single Bowl Sink RCFU2118 RCFU102118

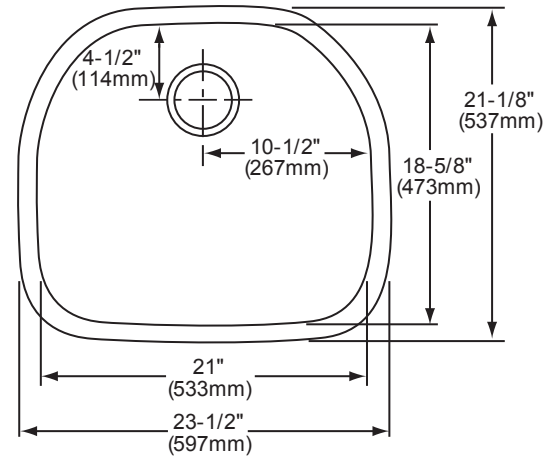
Specifications

FEATURES:

- 18 (1.2mm) gauge nickel-bearing stainless steel
- 8" (203mm) deep
- Satin finish
- 3-1/2" (89mm) drain opening
- Sound dampening pad with spray undercoating
- Minimum cabinet size: 27" (686mm)
- Sink complies with ASME A112.19.3-2008 / CSA B45.4-08



These sinks are listed by the International Association of Plumbing and Mechanical Officials as meeting the requirements of the Uniform Plumbing Code and the National Plumbing Code of Canada.

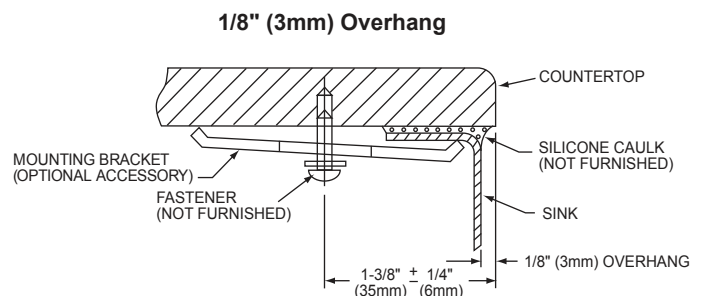
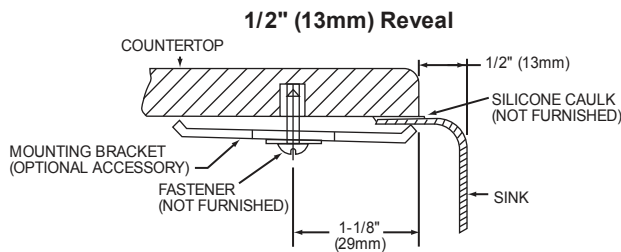


RCFU102118 sink is nested 10 units per shipping container and must be ordered in multiples of 10.

OPTIONAL ACCESSORIES:

- Bottom Grid: GOBG2118SS
- Drain: S1
- Mounting Clip: RVUCLIP8
- Template: 64180271

Electronic Dual Template Mounting Option (Download DXF File from www.reveresink.com)



NOTE: THIS UNDERMOUNT SINK IS DESIGNED TO MOUNT TO SOLID SURFACE (NON-LAMINATE) COUNTERTOP ONLY.

In keeping with our policy of continuing product improvement, Revere reserves the right to change product specifications without notice.

This specification describes a Revere product with design, quality and functional benefits to the user. When making a comparison of other producers' offerings, be certain these features are not overlooked.

Revere • 2222 Camden Ct. • Oak Brook, IL 60523 • reveresink.com • Tel: (800) 225-8585 • Fax: (630) 645-4447



Undermount Model Double Bowl Sink RCFU2118 RCFU102118

Packages

SINK PACKAGE:

RCFU2118DF includes: (1) Sink - RCFU2118, (1) Faucet - LK1501CR, and (1) Drain.

RCFU2118DFBG includes: (1) Sink - RCFU2118 (1) Faucet - LK5000CR, (1) Bottom Grid - GOBG2118SS, and (1) Drain.

FAUCET FEATURES:

LK1501CR

- Chrome finished, single-lever kitchen faucet with side spray.
- Flexible supply tubes with 1/2" (13mm) male IPS adapters.
- Two 1 3/8" diameter faucet holes required.

LK5000CR

- Chrome finished, single-lever kitchen faucet with pull-down spray.
- Braided stainless steel supply lines.
- Three 1 3/8" diameter faucet holes required.

Max counter thickness: 2.5" (63mm).

Faucets comply with: ADA, ANSI/NSF61, ASME A112.18.1/CSA B125.1, cUPC, CA AB1953

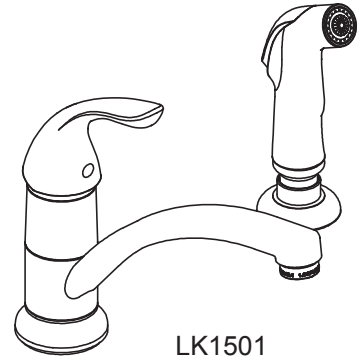
Faucet flow rate: 1.5 GPM/5.7 L/min at 60 P.S.I.G.

BOTTOM GRID FEATURES:

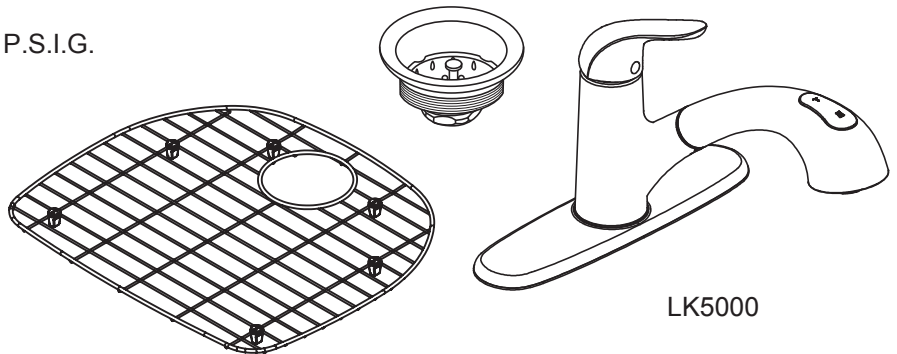
- Nickel-bearing stainless steel
- Bright finish
- Dishwasher safe

DRAIN FEATURES:

- Stainless steel body and strainer.
- Fits 3-1/2" (89mm) opening.



LK1501



LK5000

GOBG2118SS