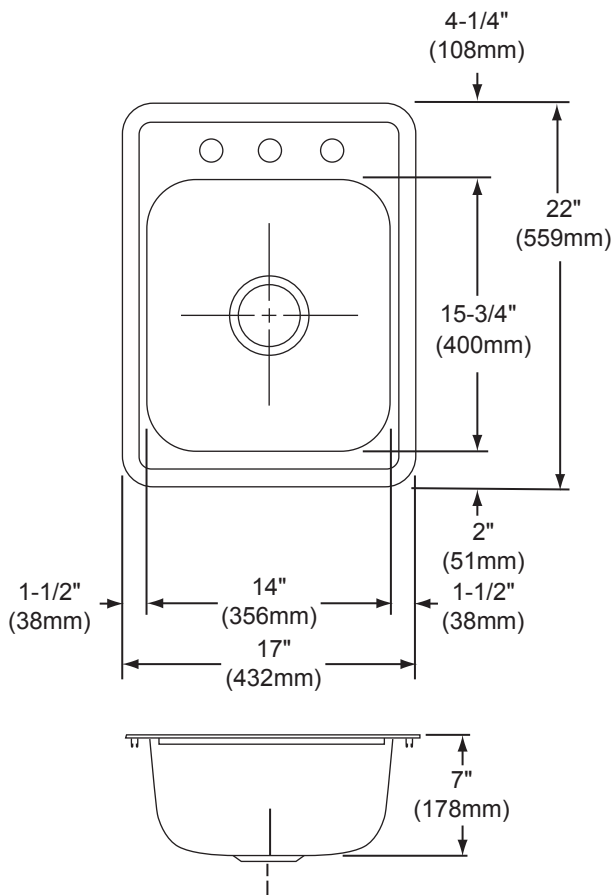




Specification Sheet

Puritan™ Model **Single Bowl** PBL51722D7SN



- FEATURES:**
- 22 (.8mm) Gauge 300 Series Stainless Steel
 - Top Mount
 - 3-1/2" (89mm) Center Drain Opening
 - Cutout Dimension with 1-1/2" (38mm) Radius Corners: 16-3/8" (416mm) x 21-3/8" (543mm)
 - Includes Mounting Hardware/ Clips and Screws
 - Soft Satin Finish
 - Undercoating on Bottom of Bowl
 - Hole Drillings: 3 or OS4
 - Suggested Cabinet Size: 21" (533mm)

OPTIONAL ACCESSORIES:

- Bottom Grid: GBG1415SS
- Drain: S1

In keeping with our policy of continuing product improvement, Revere Sink reserves the right to change product specifications without notice.

This specification describes a Revere Sink product with design, quality and functional benefits to the user. When making a comparison of other producers' offerings, be certain these features are not overlooked.